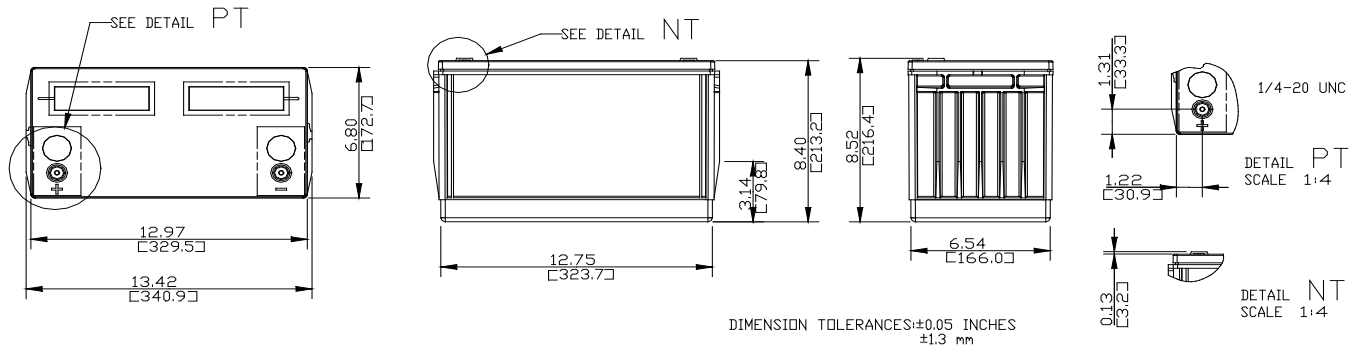


BATRIC UPS100



BATRIC – UPS100 - Specifications

*All dimensions inches and (millimeters). All dimensions are for reference only

Cells Per Unit	Voltage Per Unit	Max. Weight	Electrolyte	Maximum Discharge Current	Short Circuit Current	10 Sec. Volts @100 Amps	Ohms Imped. 60Hz. (Ω)
6	12.84	67 lbs. 30.39 kg.	Gelled H ₂ SO ₄ SG = 1.300	800 Amps	2500 Amps @ 0.1 Sec.	11.4	0.0050 Ohms
Capacity				100 Ah @ 20 hour rate to 1.75 volts per cell @ 77°F (25°C)			
Operating Temperature Range				Discharge; - 40°F (- 40°C) to + 160°F (71°C), Charge; - 10°F (- 23°C) to + 140°F (60°C) (with temperature compensation)			
Float Charging Voltage				13.5 to 13.8 VDC/unit Average @ 77°F (25°C)			
Recommended Maximum Charging Current Limit				C/5 amperes (18.7 amps @ 100% depth of discharge)			
Maximum AC Ripple (Charger)				0.5% RMS or 1.5% P-P of float charge voltage recommended for best results Maximum AC ripple voltage allowed = 1.4% RMS (4% P-P) Maximum AC ripple current allowed = 4.6 amperes RMS (C/20)			
Self Discharge				BATRIC™ GEL/CELL batteries may be stored for up to 6 months @ 77°F (25°C) and then a freshening charge is required. For higher temperatures the time intervals will be shorter.			
Accessories				Inter unit connectors, racks and cabinet systems are available			
Terminal				Threaded Copper alloy insert Terminal to accept 1/4-20 UNC Bolt			
Terminal Hardware Initial Torque				110 in. - lbs. (12.4 n - m)			
Terminal Hardware Annual Retorque				110 in. - lbs. (12.4 n - m)			

Constant Current Discharge Ratings – Amperes @ 77°F (25°C) to 1.75 Volts per Cell

Amperes	5	10	15	20	25	30	35	40	45	50
Run Time (minutes)	1194	560	354	253	194	147	128	109	94	83

Constant Current Discharge Ratings – Amperes @ 77°F (25°C) Operating Time to End Point Voltage (In hours)

End Point Volts/Cell	.25	.50	1.00	2.00	3.00	4.00	5.00	6.00	7.00	8.00	10.00	12.00	20.00	24.00	48.00	72.00	100
1.75	167	107	65.1	37.4	26.8	21.0	17.9	14.8	13.2	11.5	9.50	8.00	5.00	4.30	2.20	1.50	1.10
1.80	154	101.7	63.3	36.6	26.4	20.8	17.7	14.7	13.0	11.4	9.39	7.91	4.94	3.24	2.16	1.36	1.09
1.85	136	93.5	59.9	35.2	25.6	20.2	17.2	14.2	12.7	11.1	9.12	7.68	4.78	3.11	1.90	1.29	1.05

Note: Batteries to be mounted with 0.5 in. (1.25 cm) spacing minimum and free air ventilation. Specifications subject to change without notification.

Battery Electric Inc. Edmonton

E-Mail: info@batteryelectric.com

Phone: (780) 455 - 2302